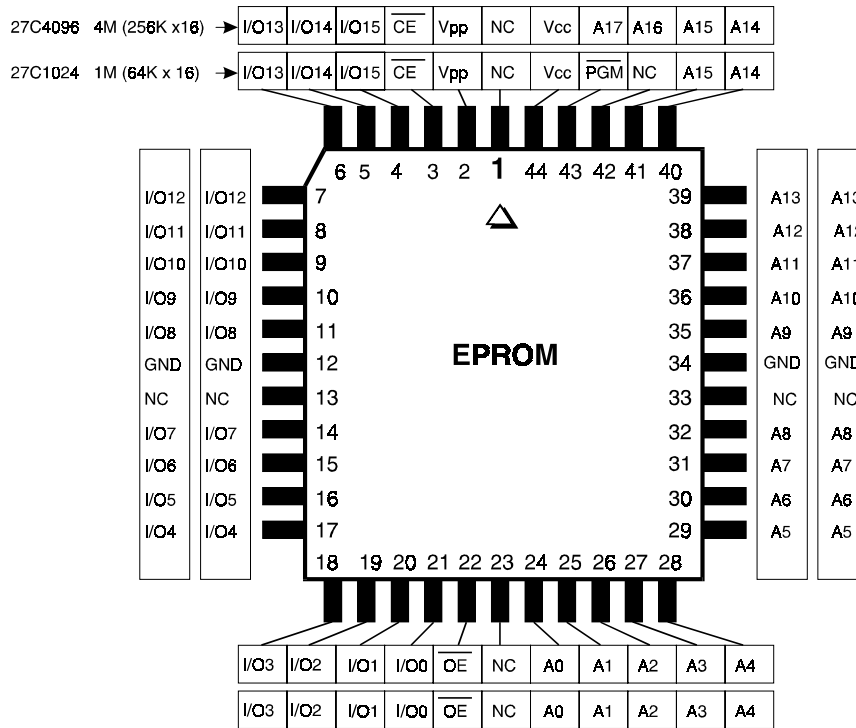


16 bit PLCC EPROMs



Standard PLCC EPROM pinouts (27C1024 - 27C4096)
 64K x 16 256K x 16



TechTools
 P.O. Box 462101, Garland, TX 75046
 (214) 272-9392 FAX: (214) 494-5814

C DATE: 01/24/96

ITEM# JD-797
 SHEET 02 OF 4
 EPROM - PLCC 16Bit