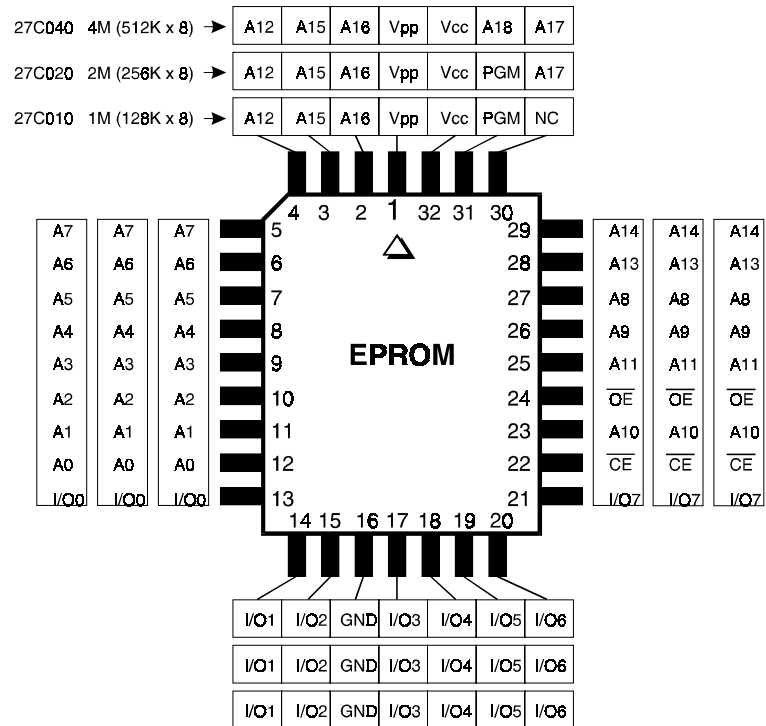


8 bit PLCC EPROMs (512kbit and smaller)



Standard PLCC EPROM pinouts (27C010-27C040)



TechTools
P.O. Box 462101, Garland, TX 75046
(214) 272-9392 FAX: (214) 494-5814

C	DATE: 01/24/96	ITEM# JD-794	DEVICE PINOUTS
			SHEET 04 OF 5
			EPROM - PLCC >= 1M